

SEEPEX.
ALL THINGS FLOW

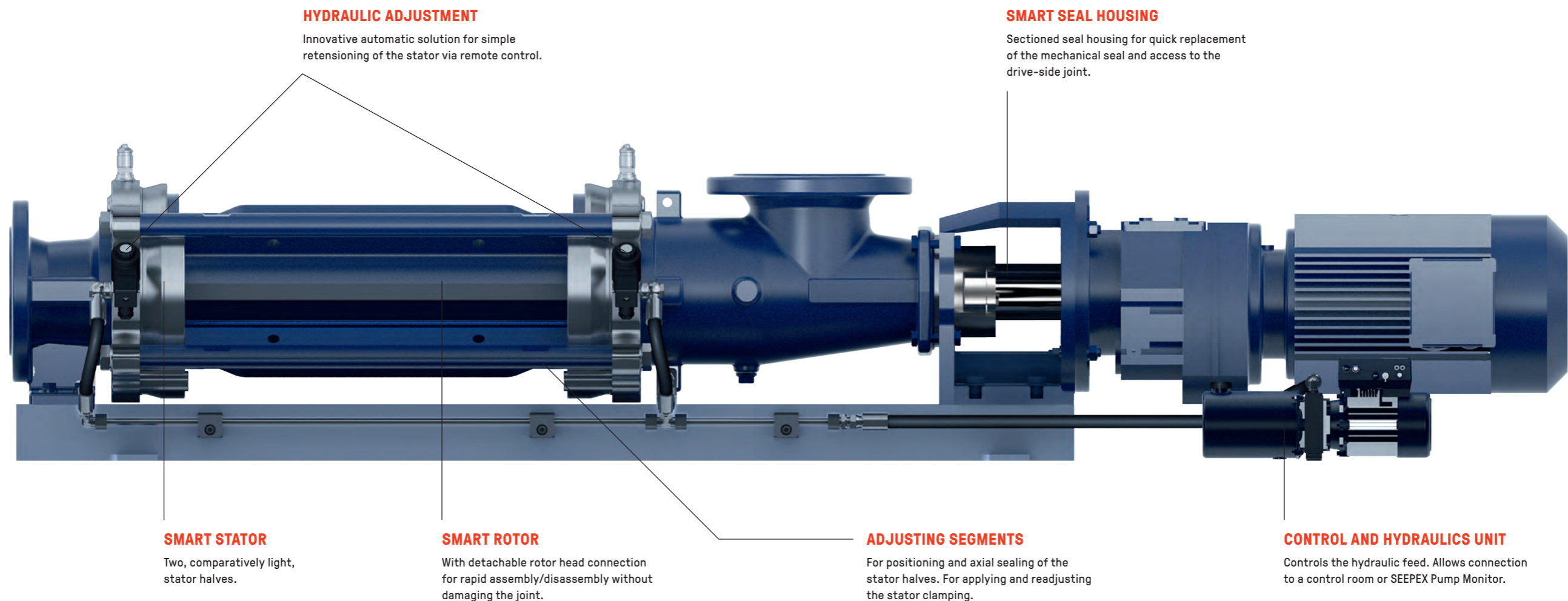
IT'S ALL ABOUT THE PERFECT FIT SCT AutoAdjust



UNIQUE.

Technology in the field of progressive cavity pumps is changing. After intensive and customer-focused development work, the time has come: With SCT AutoAdjust, SEEPEX is presenting a progressive cavity pump that allows for remote automated adjustment of the stator segments to restore the pump performance to the optimal operating point with just one click of a button. Routine site visits to restore pump performance are eliminated as adjustments can be made remotely from any location.

This outstanding innovation is a further development of the award-winning Smart Conveying Technology (SCT), which has received multiple awards and is internationally patented. The tried-and-tested design principle of this intelligent technology: the Smart Stator consists of two halves, so that maintenance can be carried out easily by one person without the need to remove suction or discharge pipework.



SIMPLIFY YOUR DAILY WORK ROUTINE.

Automatically achieve the optimal pumping performance: With SCT AutoAdjust, the stator clamp of a SEEPEX progressive cavity pump is automated, and can be hydraulically adjusted to the optimal operating point at the touch of a button.

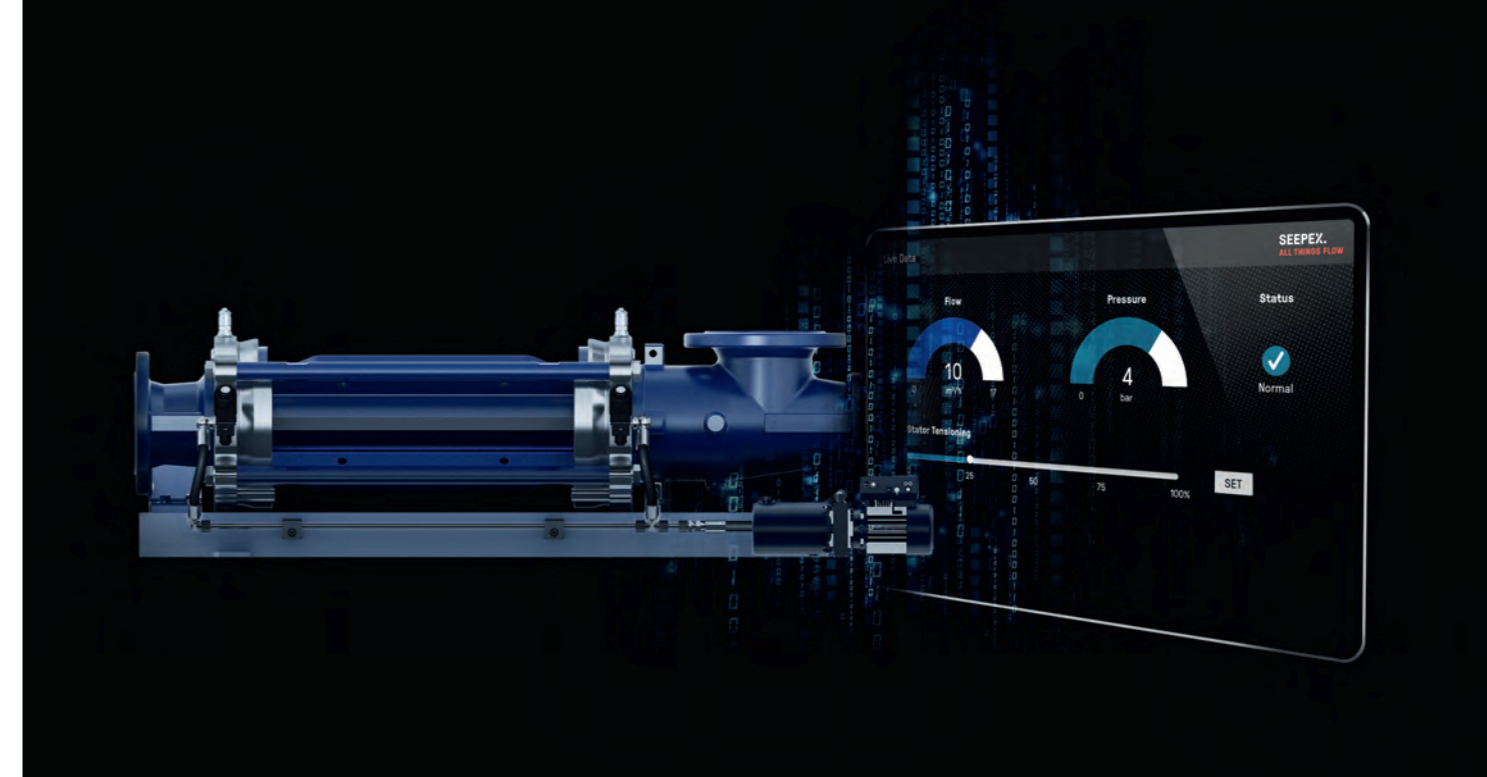
SEEPEX stands for continuous innovation and customer orientation. We have been successfully developing and improving SCT since 2008. SCT AutoAdjust is our premium range that has been developed based on customer requirements. It retains all of the advantages of the familiar Smart Conveying Technology, while also including further revolutionary innovations.

With SCT AutoAdjust, the stator clamp and pump performance are now automated and hydraulically set at the touch of a button. Making adjustments directly at the pump is superfluous, since the pumping capacity can be conveniently adjusted from a control room or tablet. In the case of installed pumps that are difficult to access or pumps in remote locations, this offers a decisive benefit. Retensioning the stator optimizes and, in the event of wear, restores the pumping capacity to optimal duty point without having to replace any components. This significantly extends the service life of the rotor and stator, reduces the need for spare parts and lowers the life-cycle costs of SEEPEX pumps. Pump performance and deviation are visible at all times, allowing spare parts to be ordered at an early stage.

PRODUCT VARIATIONS

SCT AutoAdjust is available in three variations, which offer different control options for adjusting the clamping segments.

- Integration of SCT AutoAdjust into a control room
 - Control via fieldbus or analog
 - Not location-specific, adjustment directly at the pump is unnecessary
- SCT AutoAdjust with SEEPEX Pump Monitor
 - Additional local control via SEEPEX Pump Monitor or a tablet (app available)
- SCT AutoAdjust with SEEPEX Pump Monitor and cloud connection (SEEPEX Connected Services)
 - Worldwide 24/7 access to operating data for all pumps



IMPROVE YOUR PLANT PROCESSES AND PERMANENTLY REDUCE YOUR COSTS

PRECISE OPERATION, SIMPLE REMOTE CONTROL

- Highly precise adjustment of the stator clamping at the touch of a button from a control room or the on-site Pump Monitor.
- Eliminates manual adjustments at the respective plant section or journeys to remote pump locations.
- Easily reach difficult to access pump installations by remote control.

REGULAR ADJUSTMENT IS INDISPENSABLE

- Reduced maintenance requirements, less wear and tear, lower spare part costs and a significantly longer pump service life due to the simple, automated operation and early, frequent adjustment of the stator clamp.
- Precise adjustment to the optimal operating status makes it possible to react quickly and easily to changing process conditions and ensures optimal process results. No more unplanned downtime: Pump status is always visible, the readjustment immediately and positively impacts pump performance and wear reserve results are available in higher-level systems.

SMALLER SPACE REQUIREMENTS FOR SERVICE WORK

- Like all Smart Conveying Technology pumps, maintenance work can be performed in the smallest of spaces and without special tools: no dismantling of piping or additional space requirements for the dismantling of the stator.

RELIABLE MONITORING

- Comprehensive plant monitoring from anywhere and at any time: Unnoticed changes or problems eliminated due to monitoring of the operating and pump status from a control system, in Pump Monitor or optionally in SEEPEX Connected Services

SIMPLY INDISPENSABLE.

PRESSURE
**UP TO 8 BAR
(120 PSI)**

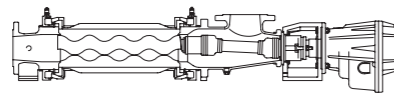
KEY AREAS OF USE

- In critical applications that require high operational safety and performance as well as absolute reliability
- In critical applications that require 24/7 operation
- If space in your plant is limited or the existing pump is enclosed by other equipment, where only restricted access to the pump is possible for performing maintenance
- For large wastewater treatment plants or remote pumping locations, restore pump performance without leaving the control room and traveling to site
- For simultaneously controlling and monitoring a large portfolio of pumps in complex conveying processes (24-hour monitoring)

In these cases, when you opt for automatic adjustment of the stator clamp, your pump performance achieves the desired level in a manner that is simple, convenient and comfortable.

SCT AutoAdjust is available in 1-stage and 2-stage versions for pressures up to 8 bar.

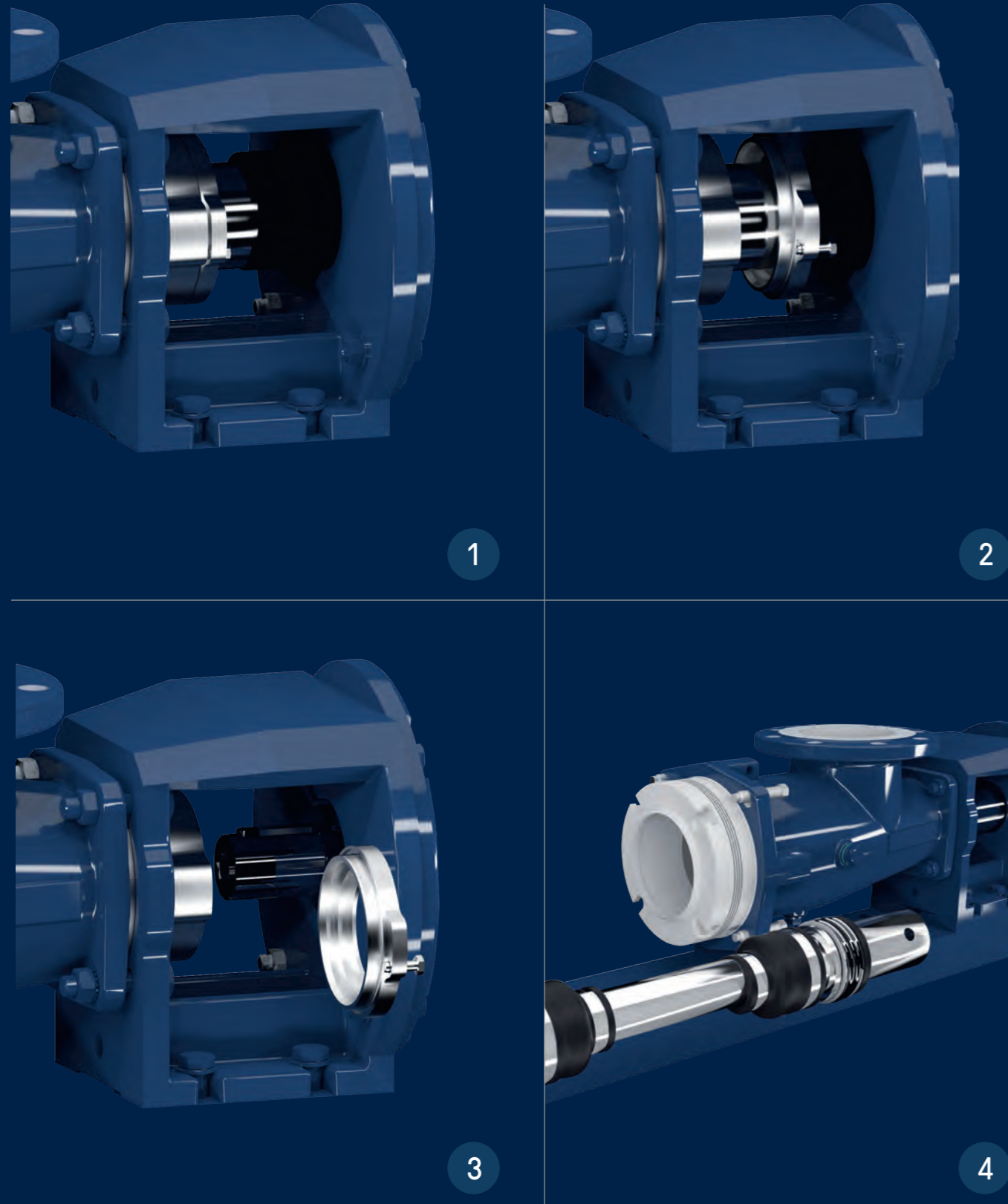
SCT AutoAdjust



AT HOME IN ALL INDUSTRIES.

SEPEX pumps with Smart Conveying Technology (SCT) are used in a wide variety of applications and industries. SCT performs outstandingly in all branches of industry – and therefore is suitable for yours. In numerous plants and over a wide range of applications, SCT offers clear benefits over conventional progressive cavity pumps and other pump types.

It optimizes processes, maximizes pump availability, reduces costs and workload for control and maintenance and offers previously unimaginable potential for the future of productivity.



A SMART ADDITION.

Smart Seal Housing allows mechanical seals to be maintained quicker and more easily than ever before.

Smart Seal Housing (SSH) is a technical addition to pumps with Smart Conveying Technology. SSH allows the complete replacement of the mechanical seal and access to the drive-side joint without time-consuming dismantling of the suction casing and pipework and without damaging the mechanical seals. This is possible thanks to a new development: the two-part seal housing.

Maintenance work is thus reduced to just a few minutes, resulting in significantly shorter downtime.

FEATURES AND BENEFITS

- Sectioned seal housing
- Quick maintenance and easy replacement of the mechanical seal
- Easy access to the drive-side joint
- No damage to the mechanical seal during drive-side work
- No dismantling of suction casing and piping necessary
- The split mechanical seal housing enables the stationary seat to be removed via the lantern
- Suitable for standard mechanical seals
- Reduced maintenance times and costs

Smart Seal Housing is optionally available for pumps with Smart Conveying Technology and is patent pending. Our experts will be happy to answer your questions regarding possibilities and benefits.



BECOME PART OF THE DIGITAL SOLUTIONS FAMILY.

To benefit our customers, digitalization has long played a role in SEEPEX's product portfolio. Digital Solutions is a modular system that facilitates the networking, controlling and monitoring of pumps.

The Digital Solutions family includes intelligent control system solutions, pump systems and monitoring solutions, such as SEEPEX Pump Monitor. This product portfolio is supplemented by the SEEPEX Connected Services cloud platform, which collates and analyzes the pump data collected. Furthermore, intuitively operated maintenance and service apps provide helpful support in managing plant operations and reducing process costs.

We provide you with solutions for plant optimization and pump status monitoring: whether on site, remotely, via the cloud or as a combination. This results in optimized processes, maximum pump availability and significantly reduced costs and workload for control and maintenance.

SCT AutoAdjust is part of the Digital Solutions product family and represents another step in our consistent progression from analog to digital in the world of pumps.

We would be happy to show you the potential that intelligent, networked pumps hold.

SEEPEX.

ALL THINGS FLOW

SEEPEX GmbH

macxa.com.vn | macxa.vn